



**SECTION 3
FEDERATION SHOW RULES**

**As Assembled & Amended
by the
Judges & Standards Committee**

© FBAS J&S 2008

SHOW RULES

PART ONE. (GENERAL)

1. SHOW RULES.

All sections of a show shall be run in accordance with the Federation's Show Rules.

2. OPEN COMPETITION.

All advertised classes shall be in open competition.

3. DISPLAYING THE RULES.

Providing a copy of the Open Show Rules and the COP (Codes of Practice) are openly displayed at the show it is sufficient to state on the Show Schedule that: **THE SHOW WILL BE RUN IN ACCORDANCE WITH THE FBAS SHOW RULES.**

4. ACCEPTANCE OF THE RULES.

Submitting an entry implies full acceptance of all the show rules.

5. COMPLIANCE WITH THE RULES.

Any exhibitor who fails to comply with the Rules will have their exhibits disqualified

6. EXHIBITS.

All exhibits shall be the property of the exhibitor.

7. SHOW CONTAINERS.

All exhibits shall be shown in flat-sided rectangular containers with either open or clear covered tops. Unless square the largest viewing area will be deemed to be the front, which is to be greater than the total length of the exhibit. All vertical surfaces will be clear and free from distortion. Only the container base may be coloured black at the discretion of the exhibitor. Containers may be fitted internally with a black material on the base, providing the material does not adversely affect the exhibit or stain the water and is securely fixed. Commercial framed containers are acceptable providing in the opinion of the judge the framing is in keeping with the size of the container and is not coloured to obtain an advantage to the exhibit. Unframed containers may be framed with black plastic or black adhesive tape, in keeping with their size.

8. CONTENTS OF SHOW CONTAINERS.

In all classes there will be nothing in the container other than the Exhibit, water and such other items as are allowed within these Rules.

SHOW RULES

9. SIZE OF SHOW CONTAINERS.

The minimum size of a show container shall be 100mm x 100mm x 100mm. A Container will be large enough to allow the exhibit freedom of movement to be able to display to its full advantage. Containers with raised bases will be measured from the raised base. All containers shall be adequately filled with water to allow the judging of the exhibit. If in the opinion of the Judge and with the agreement of the Senior Judge a container is considered too small for the exhibit the exhibit will be disqualified and removed from the bench.

10. FILTRATION WITHIN SHOW CONTAINERS.

At any show or exhibition, only exhibits larger than 200mm, may if their containers are larger than 450mm x 250mm x 250mm, have them sectioned off internally to contain a Sponge Filter or a small Box Filter with an external air pump, or an internal filter no larger than a 'Fluval 1' or similar. The Filters should contain a mature Ammonia Absorbing Material. The Exhibit to be displayed in the main area of the tank with the filter in the smaller area. The filtration is to be turned off five minutes before and during judging. All vertical surfaces including the internal divider to be clear and free from distortion. See FBAS J&S Information Sheet No: 1-05 on Pages 3-16 and 3-17.

11. CONTAINER AERATION.

Aeration may be used but shall be removed or turned off during judging.

12. GRAVEL IN SHOW CONTAINERS.

Natural brown gravel may be used in containers by exhibitors at the discretion of the show organisers, to a maximum depth of 20mm. Where nothing is stated in the show schedule, it will be deemed that gravel may be used. (This means that unless the show organisers prohibits its use the exhibitor will have the choice of showing fish in a container with either a clear base, a black coloured base or with a base covered in 20mm of natural brown gravel).

13. DIVIDED SHOW CONTAINERS.

In general only in Pairs and Breeders Classes will divided containers be permitted within the framework of Show Rules 4, 5, and 8. All divisions will have a clear glass or plastic divider and share a common front viewing area. Exhibits in Pairs and Breeders classes in a divided container will be deemed to be one Entry. Any container that is incorporated as part of a Society tableau may be divided within the framework of Show Rules 4, 5 and 8; in these instances Exhibits shown in a divided container as part of a Society tableau may be entered in different classes. Containers exhibiting Breeders will conform to Rule 6b. Containers exhibiting pairs the container will be sized on the largest of the pair.

SHOW RULES

14. SHOW CONTAINERS IN TABLEAU.

Exhibits other than Pairs and Breeders shown in divided containers within a Society Tableau may be entered in different classes. Providing they are illuminated containers within a tableau, the containers may be coloured black at the back as well as the base at the discretion of the Exhibitor

15. CLASS AND CONTAINER IDENTIFICATION.

All classes shall be lettered to the Federation's Show Class Lettering System. All containers shall be numbered.

16. SHOW CONTAINER LABELS.

Class labels to be white with black lettering and fixed on the top left face of the container with award place labels on the top right, and any Special or See Judge labels in the top centre.

17. SINGLE ENTRIES.

Fish shall be shown singly within their Class unless otherwise stated.

18. EXHIBITS.

An Exhibit may only be entered into one Class; it will then automatically qualify for any further Classes or Awards without further fee.

19. ADVERTISED CLASSES.

No advertised Class is to be amalgamated or have its Awards withheld.

20. SUB-DIVISION OF CLASSES.

Advertised classes may be sub-divided by the show organisers.

21. SUITABILITY OF WATER.

It is the responsibility of the exhibitor to ensure that the water, in which their exhibits are shown, is suitable for that exhibit. The show organisers will not be responsible for any loss of, or adverse effect on, any exhibit, caused by the quality or composition of the local or introduced water supply. This may contain chemicals or differ in any way from that to which the exhibit is normally accustomed.

22. INTERFERENCE WITH EXHIBITS.

Exhibitors shall not interfere with their Exhibits after judging has commenced without the permission of the Senior Judge and the Show Manager.

23. FEEDING.

Fish will not be fed on the Show Bench.

24. COLOUR-ENHANCED FISH.

Any fish which appears to have been subjected to enhanced or altered colour by dye, injection or other means (other than colour foods), will be disqualified and immediate removal from the show bench.

SHOW RULES

25. BALLOON FISH.

All Balloon fish irrespective of species will be disqualified and immediately removed from the show bench.

26. DISEASED, DEFORMED OR DISTRESSED FISH.

Where a diseased, deformed or distressed fish is exhibited it will be disqualified, and the container be removed to a treatment area (see Rule 45. Page 3-6).

27. REMOVAL OF ENTRIES.

Exhibits shall not be removed before the end of the show without the permission of the Show Manager.

28. LICENCED FISH.

Any fish requiring a licence that is entered into the show. By entering the fish it will be taken for granted that the owner possess a valid DEFRA licence.

29. CITIES LISTED FISH.

No CITIES listed fish is to be entered in the show.

30. REFUSAL OF ENTRIES.

Show organisers have the right to refuse entries from any intending Exhibitor.

31. SIAMESE FIGHTERS.

The exhibitor may Screening Card or Paper between the containers of his Male Siamese Fighters. The card or paper to be of a non-reflective type and to be removed by the judge just prior to judging.

32. CARE OF EXHIBITS.

Whilst reasonable care will be take of exhibits the show organisers will not be held liable for any loss or damage in whole or in part of any exhibit.

33. OPEN SHOW JUDGES.

Only Federation judges graded 'A' or 'B' will be employed to judge Open Shows. Judges employed from other Organisation must be graded for Open Shows by that Organisation and the other Organisation be recognised by the Federation.

34. NAMING OF JUDGES.

All Judges employed at an open show shall be listed and named on the Show Schedule.

35. STEWARDS.

Show managers are advised to restrict stewards within the benching area a minimum. Two seated stewards would be more than sufficient for the average Open Show. Not withstanding it should be impressed upon steward to keep clear of the judges at all times unless called for.

SHOW RULES

36. CLEARANCE OF BENCHING AREA.

During judging only Stewards or any other person designated by the Show Manager may enter the benching area, unless any other person is specifically required by the Senior Judge. All persons will keep clear of the judges at all times unless called for. Notwithstanding the forgoing the Judges & Standards Committee may in writing give permission under certain conditions for specified persons to be present during judging.

37. DISPLAY OF JUDGING SHEETS.

Provisions will be made by the Show Manager to publicly display all the judging sheets during the show.

38. AWARD LABELS.

Award Labels shall either be coloured or printed; 1st - Red, 2nd - Blue, 3rd - Yellow, 4th - Green. All other labels shall be White with Black lettering.

39. AWARD CARD POINTS VALUES.

Where points are allotted to winning exhibits they will apply to the Award cards thus:

1st - Four points, 2nd - Three points, 3rd - Two points and 4th - One point. Furnished Aquaria, Aquascapes and Breeders entry award cards will carry double points, i.e. 1st - Eight points, 2nd- Six points etc. Points will not be awarded to any other cards or placing below 4th.

40. JUNIORS.

Juniors are those over the age of eight and under the age of sixteen at the time of the show.

41. FEDERATION SPONSORED SHOWS.

Only those Shows conforming to Federation Rules will be sponsored.

42. GENERAL COMPLAINT PROCEDURE.

With a general complaint regarding an Open Show, the person complaining should first approach the show organisers who will try to resolve the matter. The discussion to be held in private. If this fails to satisfy the complainant he can submit the complaint in writing to the Judges & Standards Committee who shall make an investigation and give a verdict and submit their report to the Council for recommendation to a General Assembly. A final appeal can be made to a General Assembly in writing.

SHOW RULES

43. COMPLAINT PROCEDURE CONCERNING JUDGING.

With any complaint regarding the judging at an Open Show, the person complaining should first approach the show secretary who will approach the senior judge who together with the judge(s) concerned will try to resolve the matter between the parties. Those present will be the complainant, the Show Secretary, the judge(s) concerned and the senior judge. The discussion to be held in private. If the complainant is not satisfied he can submit the complaint in writing to the Judges & Standards Committee who shall make an investigation and give a verdict and submit their report to the Council for recommendation to a General Assembly. A final appeal can be made to a General Assembly in writing.

44. PHOTOGRAPHY AND VIDEO FILMING.

Submitting an entry implies acceptance of the fact that your entry may be photographed, filmed or videoed with or without flash and/or enhanced lighting. Without fee, let or hindrance. No photography, filming or videoing with flash and/or enhanced lighting is to take place before or during judging without the permission of the Show Manager and the Senior Judge.

45. DISQUALIFIED AND DISTRESSED EXHIBITS.

Where any exhibit is disqualified or appears distressed it is to be removed from the benching area to a treatment area, where it can be dealt with and if necessary given emergency treatment **only to be administered by the owner.**

46. A TREATMENT AREA.

Organisers of Open Shows will make available an Emergency Treatment Area. This must be away from the benching area and anywhere that the general public may have access. All disqualified exhibits should be transferred there. If this is not possible then the exhibit must be covered up. The Emergency Treatment Area must have available as a minimum the following; Aeration, a thermometer, Means of changing and raising or lowering the temperature of water and a commercial stress treatment. Other treatments can be made available at the discretion of the show organisers. Administration of any treatment (including Aeration and water changing) only to **be administered by the owner.** The Treatment Area is to be under the supervision of a Show Steward who is an experienced Fishkeeper.

PART TWO (FURNISHED AQUARIA & AQUASCAPES)

1a. SIZE OF FURNISHED AQUARIA & AQUASCAPES.

Only Furnished Aquaria and Aquascapes of the size stated on the show schedule will be exhibited. Aquascapes must contain a water section.

2a. DIFFERING SIZES.

Furnished Aquaria and Aquascapes of differing sizes will not be classed together.

3a. FURNISHED AQUARIA MINIMUM SIZES.

The minimum size of Furnished Aquaria of differing types will be:

Aquaria 1. 600mm x 300mm x 300mm.

Aquaria 2. 460mm x 250mm x 250mm.

Aquaria 3. (Miniature) 250mm x 200mm x 150mm. All aquaria may be \pm 15mm of the above sizes.

4a. AQUASCAPES MAXIMUM SIZES.

The maximum size of Aquascapes will be:

AS 1. 600mm long x 380mm deep, height optional.

AS 2. 460mm long x 250mm deep, height optional.

Aquascapes may be \pm 15mm of the above sizes. They must contain a water section. They will not exhibit either fish or other animals. The containers may be constructed of any suitable material and must be open fronted. The back and sides may be either coloured or transparent and decorated in any way. Containers can be any shape; rectangular, square, multi-sided or oval. Attachments or extensions to the container are not acceptable; Submersible pumps or other devices may be utilised to provide water effects, however all such equipment must be hidden from view within the container. Plants and decorations can rise above the container if in the view of the judge it is not overdone and is in keeping with the spirit of the rules.

5a. CONTENTS.

Fish, plants, rockwork, gravel and decorations will be supplied by the exhibitor. A supply of materials may be offered by the show organisers. However choice of materials rests with the exhibitor.

6a CHOICE OF FISH AQUARIA.

The choice of fish in Furnished Aquaria rests with the exhibitor.

7a. AQUASCAPES.

Fish and other animals are not permitted in Aquascapes.

SECTION THREE

PART TWO (FURNISHED AQUARIA & AQUASCAPES)

8a. PLANTS.

Only plants that flourish under aquatic conditions will be used in Furnished Aquaria and in the water section of Aquascapes.

9a. MODELS.

Where any model is used in a Furnished Aquaria or Aquascape it will automatically be classed as a novelty Furnished Aquaria or Aquascape.

10a. LIGHTING.

The lighting of each class of Furnished Aquaria and Aquascape will be uniform. Coloured lighting or colour enhancing lighting shall not be acceptable on the show bench.

11a. OTHER APPLIANCES.

No appliance shall be used in conjunction with Furnished Aquaria except heaters, thermostats and lighting.

12a. EXTERNAL ITEMS.

Furnished Aquaria sides and back may be covered with a monochrome material only. No addition items or equipment that forms part of the exhibit is allowed outside of the Furnished Aquaria or Aquascape.

13a. READY SET UP EXHIBITS.

Furnished Aquaria and Aquascapes may be brought to a show ready set up with the agreement of the show organisers. Notice of such an agreement must appear in the show schedule and be open to all exhibitors.

14a. JUDGING.

The judging of Furnished Aquaria and Aquascapes can be undertaken by an 'A' class judge. 'B' class judges must be accompanied by either an 'A' or another 'B' class judge.

15a. DISEASED OR DISTRESSED FISH.

Where a diseased, deformed or distressed fish is exhibited in a Furnished Aquaria the whole will be disqualified. And if possible all the fish removed to the Treatment Area. If they cannot be removed then the container must be completely covered over.

PART THREE (BREEDERS)

1b. BREEDERS CLASSES.

Breeder's entries will be subdivided into a minimum of three classes as follows. These Classes will not be amalgamated.

Tropical Egglayers. Tropical Livebearers. Coldwater Breeders.

2b. NUMBER OF FISH.

Breeders Entries may consist of either four fish or six fish in a team, the Show Organisers to state the number on the Show Schedule. Entries of differing numbers will not be shown together at the same show. Where nothing is stated on the show schedule it will be deemed that the breeder entries will number four fish.

3b. BREEDERS ENTRY.

The fish from one spawning from one female to constitute an entry.

4b. LIVE FISH.

A Breeders Entry not exhibiting the correct number of live fish will be disqualified. In this situation the exhibit does not have to be removed from the benching area unless a fish is distressed or dead, if not removed a SEE JUDGE label must be affixed to the container.

5b. DATE OF BIRTH.

A Breeders Entry not exhibiting the correct date of birth on the containers Class Label will be disqualified. In this situation the exhibit does not have to be removed from the benching area but a SEE JUDGE label must be affixed to the container.

6b. THE SHOW CONTAINER SIZE.

The size of the show containers for breeder's entries will be in proportion to the total number of fish entered.

7b. SEPARATE CONTAINERS.

A Breeders entry may be shown with the fish in separate or divided containers; in pairs or trios of the same sex (depending on the number of fish per Entry as per Rule 2b), the whole to count as one Entry.

8b. BREEDING & OWNERSHIP.

A Breeders Entry shall have been bred by the Exhibitor and not be older than fourteen months at the date of the Show.

9b. HAND STRIPPING.

Fish raised from stripped eggs are eligible for a Breeders Class providing the fry have been raised by the Exhibitor and that the parent fish were in the possession of the Exhibitor at the time of stripping.

10b. TRANSFERRED EGGS.

Fish raised from transferred eggs are not eligible for entry as a Breeder Entry.

PART FOUR (PLANTS)**IC. PLANTS DEFINED.**

Only plants that flourish under aquatic conditions will be shown in plant classes.

2c. PLANT CLASSES.

Plant shall be classed for judging as falling into one of three Classes:
ROOTED, CUTTINGS FLOATING.

Rooted plants are those which are usually propagated by seed, division of root stock or by sending out runners.

Cuttings are plants which are usually propagated by taking cuttings. Floating plants are those that are free of a permanent anchorage.

3c. A PLANT EXHIBIT.

One ROOTED plant will constitute an Exhibit. Three separate weighted CUTTINGS will constitute an Exhibit. A portion of FLOATING plants (if a small species) or a single plant (if a large species) will constitute an Exhibit. Other than floating species all plants unless contrary to their natural form, will be shown fully submerged.

4c. CONTAINERS.

The container will be of a sufficient size so as not to interfere with or constraint, the natural lay of the leaves and/or root system. Terracotta or black coloured pots are to be used to exhibit rooted plants.

5c. ROOTED PLANTS.

ROOTED plants will be shown in pots with their root crowns showing, the planting medium will be covered with a layer of natural brown gravel. Those plants that habitually attach them selves to rocks, stones, tree roots or bark, are eligible to be shown attached to these providing that the material is a natural material and not man made.

6c. CUTTING PLANTS.

CUTTINGS will not be shown in pots. Each Cutting will be weighted separately. A CUTTING will not be greater in length than the depth of the water within the container.

7c. FLOATING PLANTS.

Floating plants will be shown so that their root structure can be judged together with the leaf formation. The depth of water will be such as to ensure that the root structure of the plant is clear of the base of the container.

8c. IMMATURE PLANTS AND OFFSHOOTS.

Immature plants and offshoots maybe left attached to the main Exhibit: these however will be judged as being a part of the Exhibit.

PART FIVE (JUDGING)

1d. JUDGING.

Judges will only judge at Open Shows those Classes for which they are graded.

2d. STANDARDS AND RULES.

Judges will fully operate all Federation Standards and Rules.

3d. JUDGING PROHIBITED.

A judge will not judge any Show at which they or any member of their family or close relation are exhibiting.

4d. POINTING OF EXHIBITS.

Judges will fully point every Exhibit within a Class unless it is disqualified, taking into consideration Rules 12d, 15d, 16d and PART TWO, Rule 14a.

5d. SENIOR JUDGE.

The Judges & Standards Committee will appoint a Senior Judge to officiate at every Open Show. If for any reason a senior judge is not nominated or fails to attend, then any senior judge in attendance will assume the responsibility. Senior judges are only appointed by the J&S to ensure the correct application of the Federation's judging system.

6d. JUDGING SHEETS.

The senior judge will arrange the distribution of the judging sheets, allowing first choice to 'B' Class and Guest Judges whilst taking into consideration the wishes of the 'A' class judges (section 6-12, paragraphs 14 to 17).

7d. FEDERATION TROPHY CLASS.

Where a class has been awarded a Federation Trophy, that class will be judged by an FBAS 'A' class judges (section 6-12, paragraph 14).

8d. UNSUITABLE CONTAINERS.

If in the opinion of the judge judging a Class and that of the Senior Judge, a container is either disfigured or is in some other way unsuitable for the judging or the well being of the Exhibit, the judge concerned is at liberty to decline to judge the Exhibit. The reason must be stated on the Judging Sheet and signed by both Judges and the container is to be removed from the benching area.

9d. INTERFERENCE WITH CONTAINERS.

Judges will not interfere with or put any instrument into a container. If a judge requires a container to be moved he will call upon a steward to do so.

PART FIVE (JUDGING)

10d. TRANSFERRING OF EXHIBITS.

Where a judge transfers an Exhibit into another Class it is the responsibility of that Judge to ensure that the necessary corrections are made to both container Class Label, Judging Sheets (being recovered from public display if necessary) and that the exhibit is judged within the Class into which it has been transferred. In the case of a dispute concerning the transferred exhibit the Senior Judge's decision will be final.

11d. PAIRS CLASSES.

Pairs of fish that cannot be **readily identified** as a male and a female of the same species and/or variety will be disqualified. In this situation the exhibit does not have to be removed from the benching area but a **SEE JUDGE** label must be affixed to the container.

12d. GRAVID LIVEBEARERS.

Heavily gravid livebearers will be disqualified and will be removed from the benching area.

13d. DISEASED DEFORMED AND DISTRESSED EXHIBITS.

All diseased, deformed and distressed exhibits will be disqualified and be removed from the benching area to the Treatment Area.

14d. DISQUALIFICATION.

In general any exhibit that fails to comply with the Show Rules is liable to disqualification. However before any exhibit is disqualified the Judge judging the Class will obtain the agreement of the Senior Judge to this action who will sign the Judging Sheet in the '**REMARKS**' column. Unless stated otherwise all disqualified exhibits will be removed from the benching area or covered over.

15d. UNWARRANTED PLACING AND MISJUDGING.

If, in the opinion of the Senior Judge and one other 'A' Class Judge, an Exhibit has been awarded an unwarranted Place or has been misjudged in some way, the judge who judged that class will be asked to alter his decision. If he refuses the Senior Judge will appoint another Judge to re-judge that Class, in which case the newly appointed Judge's pointing will be the official result. In either situation a full report will be submitted to the Judges & Standards Committee.

16d. BEST IN SHOW AND SPECIAL AWARDS.

Where awards such as 'Best in Show' 'Best Exhibit' are to be decided the Senior Judge will ask every Judge to register a vote for an Entry. Where the Award is for a Class (or a group of Classes), only the Judge or Judges who judged the Class (or Classes) will decide the Award winner. In the event of a tied vote the Senior Judge will exercise a casting vote. Points gained by Exhibits will not be considered in deciding these Awards.

PART FIVE (JUDGING)

17d. DISCUSSION WITH EXHIBITORS.

Judges are not called upon to enter into discussion with any Exhibitor as to the reasons for their decisions, except under conditions and circumstances as defined in Section One, Rules 34 and 35. Exhibitors should be discouraged from approaching judges ad libitum.

18d. ERRORS AND OMISSIONS.

Where an omissions or error of judgement has occurred the judge concerned will do all within his power to correct that error up to prize giving. Including if necessary recalling the judging sheet from public display, re-judging as many exhibits as is necessary and adjusting the awards if needs be. This may entail having the show organisers clear and fence off that area of the benching involved from the public.

19d. 'B' CLASS JUDGE ASSESSMENT SHEETS.

All 'B' Class Judges will be issued with a book of Class Assessment Sheets. The judge will make out an Assessment Sheet for each Class judge and complete the first two sections. The sheet will then be handed to the Senior Judge to be completed at the Show and signed by him. It is the responsibility of 'B' Class Judges to ensure the safe keeping of their Assessment Sheets and that sheets are completed and signed. 'B' Class Judges will not be considered for upgrading if for any reason their Class Assessment Sheets are unavailable for consideration by the Judges & Standards Committee, in which case the Judge will be considered to have failed the current test.

20d. ACCOMPANIED JUDGING.

The permission of the Judges & Standards Committee, must be obtained in writing before a judge is accompanied by anyone during judging

21d. REFUSAL TO JUDGE.

Judges are entitled to remove themselves from any show that is not operating to the Rules advertised.

22d. JUDGING AT NON-FBAS SHOWS.

Federation Judges are at liberty to judge at shows not being run to Federation Rules and those run by non-member Societies and/or Organisations; at all times the Judge will judge to Federation Show Rules (note: Rule 23 PART ONE). If a Judge feels it would best serve the interests of the Federation to judge to another Organisation's Rules. In all situations were a judge is invited to judge at a show run by another organisation. Prior permission must be obtained in writing from the Judges & Standards Committee. Even if a Judge Exchange agreement exists. See Rule Definition; Page 3-15.

THE SPIRIT OF THE RULES

The Federation's show and their associated rules are designed to address amongst others three basic issues:

- 1). To afford a primary degree of care and protection for all livestock so exhibited.
- 2). To bring order to the exhibiting of fish and aquatic displays in general in both open and closed competition.
- 3) To ensure a competence of adjudication. Show and their associated Rules have not been written in legal terminology to ensure their widest understanding, neither have they been formulated to cover every foreseeable event. Therefore with this in mind both Exhibitors and Judges alike shall seek to uphold the spirit of these Rules and not seek to circumvent them.

The Judges & Standards Committee will support any judge or exhibitor holding to the above criteria.

SHOW RULE 22d, DEFINED IN 1983

Show Rule 23d, is a restrictive rule. It restricts Federation Judges judging at shows to any system other than that of the Federation's. Its design is primarily to extend the use of the Federation's system and by this means the Federation itself. Another function of the rule is to protect judges when they are engaged in judging outside the jurisdiction of the Federation.

The Rule is in two parts. The restriction and the waiver.

THE RESTRICTION.

The rule states Federation Judges can judge at shows not being run to Federation Show Rules and/or by non-affiliated Societies providing the judges carry out their judging to the Federation system, this includes.

- a). The Society or organisation concerned agreeing that Federation Judge(s) will be able to judge to the Federation's Rules and that they will co-operate with the judge(s) to that end.
- b). That the benching is reasonably laid out and that the benching area will be cleared during judging.
- c). That no undersized containers will be permitted and that no coloured gravel or coloured enhancing lighting will allowed.
- d). That Federation Judges are allowed to list and fully point all the entries in their classes and that their judging sheets will be publicly displayed at the show
- e). That all the other judges employed at the show are recognised judges from organisations recognised by the Federation. In fact the Federation Judge would act as if judging at any normal Federation show.

THE WAIVER.

With any restrictive rule the circumstances might arise that were unforeseen when the rule was introduced. Exchange judging agreements being a typical example or situations occurring where it may be of benefit for the J&S to waive the rule. On receipt of a written application from a judge the J&S may grant permission for a judge to judge a show or exhibition not fulfilling any of the above conditions.

NOTE:

Federation Judges invited by other organisations to judge Festivals or other Exhibitions must first obtain permission from the J&S even if a judge exchange agreement exists.

A type of show container appeared at a fish show in 2004 consisting of a container that had been sectioned off internally to contain a small Fluval type filter. The fish was displayed in the main area of the tank with the filter in the sectioned area.

Several Judges & Standards members saw this show tank and agreed that as long as the filter was turned off five minutes before and during judging. They would accept it within the Spirit of the Rules. This of course would only apply to larger exhibits on a one-day show 200mm or larger, or with shows lasting more than a day for other exhibits. One drawback was that although it had a cover glass no anti-splash arrangement had been incorporated; a cover glass with an anti-splash arrangement should be simple to design as show organisers will not want water splashing out of the tank onto the benching or floor.

As with most things some people will always try to push the issue. External filters or large internal filters will not be tolerated. Only a Sponge Filter or a small Box Filter with an external air pump, or an internal filter no larger than a 'Fluval 1' or similar will be tolerated. The Filters containing a mature Ammonia Absorbing Material. The filter area to be no larger than necessary to contain the filter. All vertical surfaces including the filter area to be clear and free from distortion. So please do not try it on. The Judges & Standards are willing to accept this type of show tank. However if liberties are taken then the tanks will be banned.

In a typical all glass tank a section of glass is fixed with the top, level with the top of the water and a 2mm gap at the bottom. This forming a filter compartment large enough to take the filter, ensuring there is enough room to remove and serviced the filter. The outlet of the filter will extend over the top of the filter compartment; this may mean slightly extending the outlet. The divider must be clear and free from distortion.

The cover glass needs only to slightly extend over the filter compartment it is suggested that a 25mm drop end is fix to the underside of the cover glass to prevent splashing.

Only a minimum container size is given, no maximum. It is for exhibiter to decide the size of the container in relationship to the exhibit and the current Federation Show Container Rules (See Show Rules 5, 6 and 7. Page 3-1). Although several people took photographs of the tank, we believe a sketch will give a clearer indication of the design. An anti-splash cover glass is we suggested a must, know doubt the basic design could be improve on.

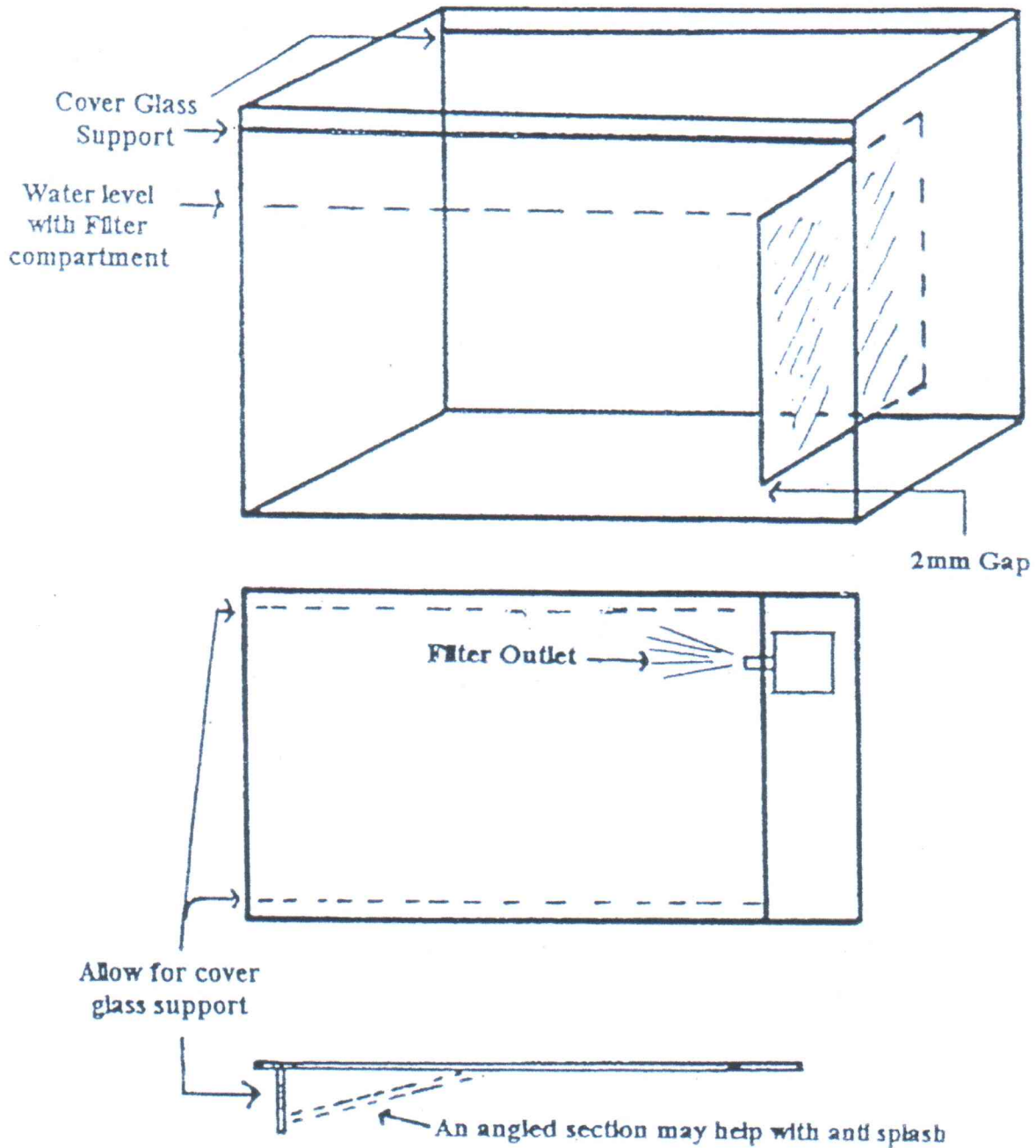
Finally, if you intend to exhibit such a show tank you must inform the show organisers and obtain their permission to do so beforehand, as they will need to provide a power supply for the filter with a circuit breaker. Taking into consideration the IEE Regulations and the Health & Safety aspect concerning electric power supplies at fish shows this may not be possible. Then an alternative could be a sponge or box filter run off of a battery operated air pump.

P.T.O for the sketch

3-16

SHOW CONTAINER WITH FILTER SECTION

The show container or similar as depicted below would be accepted as conforming to the FBAS Show Rule No 7. Page 3-1. Other designs may also be acceptable. However please check with the Judges & Standards Committee first. Note only fish 200mm and over



Cover Glass with 25mm anti-splash